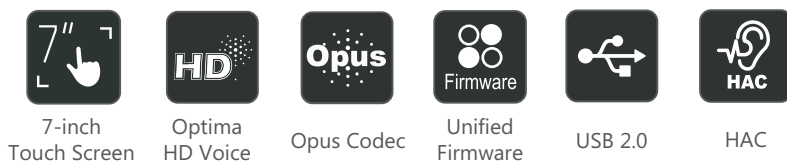


Yealink SIP-T48S

A Revolutionary SIP Phone with a 7-inch Touch Screen

The SIP-T48S IP Phone is a dynamic business communications solution for executives and professionals. This phone offers a large touch screen that makes switching between pages and applications swift, easy and convenient. The SIP-T48S is also with Yealink's Optima HD Voice technology and wideband codec of Opus for unparalleled audio clarity. Phone users will think they are sitting in the same room with one another. The phone uses Gigabit Ethernet technology for rapid call handling. Plus, it works in conjunction with Bluetooth USB Dongle and Wi-Fi USB Dongle. The new T4S series offers the same elegant appearance of the T4 line, but with improvements for greater interoperability and collaboration.



Key Features and Benefits

HD Audio

Yealink Optima HD Voice technology combines cutting-edge hardware and software with wideband technology for maximum acoustic performance. Being a totally open, highly versatile audio codec, Opus, is designed to perform a higher HD audio quality than other wideband codecs in a high network bandwidth; However, if your current network quality is poor, Opus can provide you with a better audio quality than other narrowband codecs. And its hearing aid compatible (HAC) handset helps the person who is with hearing loss to hear the voice more clearly.

Easy Customization and High Expandability

The SIP-T48S has a seven-inch, 800 x 480-pixel, backlit- color touch screen, which enables a rich visual presentation and easy navigation. A built-in USB 2.0 port can also be used for Bluetooth, Wi-Fi and USB call recording. The phone supports up to six expansion modules, for up to 240 additional buttons with a screen-based LCD display and LED system. Plus, it has 29 one-touch DSS keys which can be programmed to various features.

Efficient Installation and Provisioning

The Yealink T4S series supports efficient provisioning and effortless mass deployment with Yealink's Redirection and Provisioning Service (RPS) and Boot mechanism to help you realize the Zero Touch Provisioning without any complex manual settings, which makes the T4S series simple to deploy, easy to maintain and upgrade. Furthermore, a unified firmware and auto-p template that applies to all T4S phone models (T41S, T42S, T46S and T48S), saves even more time and costs for businesses, as well as simplifies the management and maintenance.

Secure Transport and Interoperability

The SIP-T48S uses SIP over Transport Layer Security (TLS/SSL), which is the latest network security technology. It's also compatible with leading soft switch suppliers 3CX and Broadsoft Broadworks.

- 7" 800 x 480-pixel color touch screen with backlight
- Opus* codec support
- USB 2.0
- T4S Auto-P template unified
- T4S firmware unified
- Up to 16 SIP accounts
- Dual-port Gigabit Ethernet
- PoE support
- Paperless label design
- Headset, EHS support
- Wi-Fi via WF40
- Bluetooth via BT40
- USB recording
- Supports expansion modules
- Stand with two adjustable angles
- Wall mountable

SIP-T48S Specifications

Audio Features

- > HD voice: HD handset, HD speaker
- > Hearing aid compatible (HAC) handset
- > Codecs: AMR-WB (optional), AMR-NB (optional), Opus*, G.722, G.711(A/μ), G.723.1, G.729AB, G.726, iLBC
- > DTMF: In-band, Out-of-band (RFC 2833) and SIP INFO
- > Full-duplex hands-free speakerphone with AEC
- > VAD, CNG, AEC, PLC, AJB, AGC

Phone Features

- > 16 VoIP accounts
- > Call hold, mute, DND
- > One-touch speed dial, hotline
- > Call forward, call waiting, call transfer
- > Group listening, emergency call
- > Redial, call return, auto answer
- > 3-way conferencing
- > Direct IP call without SIP proxy
- > Ring tone selection/import/delete
- > Set date time manually or automatically
- > Dial plan, XML Browser, action URL/URI
- > RTCP-XR (RFC3611), VQ-RTCPXR (RFC6035)
- > USB port (2.0 compliant) for:
 - Bluetooth earphone through BT40,
 - Contact synchronization through BT40,
 - Wi-Fi through WF40,
 - USB call recording through USB flash drive
- > Enhanced DSS key

Directory

- > Local phonebook up to 1000 entries
- > Black list
- > XML/LDAP remote phonebook
- > Smart dialing
- > Phonebook search/import/export
- > Call history: dialed/received/missed/forwarded

IP-PBX Features

- > Busy Lamp Field (BLF)
- > Bridged Line Appearance (BLA)
- > Anonymous call, anonymous call rejection
- > Hot-desking, voice mail
- > Flexible seating
- > Call park, call pickup
- > Executive and Assistant
- > Centralized call recording
- > Visual voice mail
- > Call recording

Display and Indicator

- > 7" 800 x 480-pixel color touch screen with backlight
- > 24 bit depth color
- > LED for call and message waiting indication
- > Wallpaper
- > Intuitive user interface with icons and soft keys
- > Multilingual user interface
- > Caller ID with name, number and photo
- > Screensaver
- > Power saving

Feature keys

- > 29 one-touch DSS keys
- > 7 features keys: message, headset, hold, mute, transfer, redial, hands-free speakerphone
- > 6 navigation keys
- > Volume control keys
- > Illuminated mute key
- > Illuminated headset key
- > Illuminated hands-free speakerphone key

Interface

- > Dual-port Gigabit Ethernet
- > Power over Ethernet (IEEE 802.3af), class 3
- > 1 x USB port (2.0 compliant)
- > 1 x RJ9 (4P4C) handset port
- > 1 x RJ9 (4P4C) headset port
- > 1 x RJ12 (6P6C) EXT port:
 - Supports up to 6 Expansion Modules for an attendant console application

Other Physical Features

- > Color: Classic Grey
- > Wall mountable (optional)
- > External Yealink AC adapter (optional):
 - AC 100~240V input and DC 5V/2A output
- > Power consumption (PSU): 2.2-4.9W
- > Power consumption (PoE): 3.2-7.5W
- > Dimension (W*D*H*T):
 - 266mm*226mm*185mm*54mm
- > Operating humidity: 10~95%
- > Operating temperature: -10~50°C (+14~122°F)

Management

- > Configuration: browser/phone/auto-provision
- > Auto provision via FTP/TFTP/HTTP/HTTPS for mass deploy
- > Auto-provision with PnP

- > Zero-sp-touch, TR-069
- > Phone lock for personal privacy protection
- > Reset to factory, reboot
- > Package tracing export, system log

Network and Security

- > SIP v1 (RFC2543), v2 (RFC3261)
- > Call server redundancy supported
- > NAT traversal: STUN mode
- > Proxy mode and peer-to-peer SIP link mode
- > IP assignment: static/DHCP/PPPoE
- > HTTP/HTTPS web server
- > Time and date synchronization using SNTP
- > UDP/TCP/DNS-SRV(RFC 3263)
- > QoS: 802.1p/Q tagging (VLAN), Layer 3 ToS DSCP
- > SRTP for voice
- > Transport Layer Security (TLS)
- > HTTPS certificate manager
- > AES encryption for configuration file
- > Digest authentication
- > OpenVPN, IEEE802.1X
- > IPv6
- > LLDP/CDP/DHCP VLAN
- > ICE

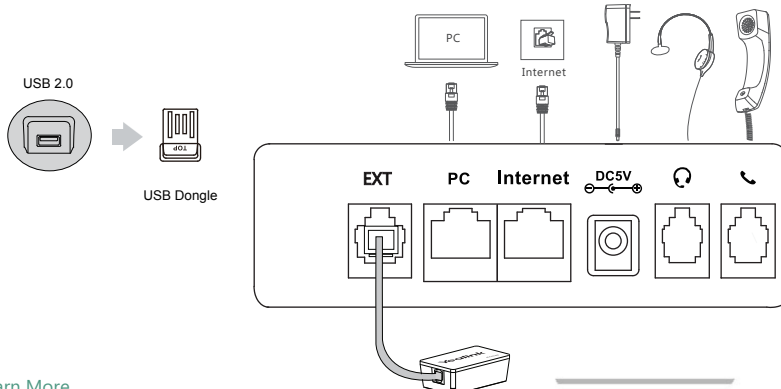
Package Features

- > Package content:
 - Yealink SIP-T48S IP phone
 - Handset with handset cord
 - Ethernet Cable (2m CAT5E FTP Cable)
 - Stand
 - Quick Start Guide
 - Power Adapter (Optional)
 - Wall Mount Bracket (Optional)
- > Qty/CTN: 5 PCS
- > N.W/CTN: 8.2 kg
- > G.W/CTN: 9.0 kg
- > Giftbox size: 324mm*263mm*128mm
- > Carton Meas: 660mm*338mm*273mm

Compliance



* Opus: Support 8 kHz (narrowband) and 16 kHz (wideband) sampling rate



[Learn More](#)